

PROCUREMENT OF FUEL-EFFICIENT STOVES (FES)

Term of Reference

Background:

Since June 2022, heavy rainfall and strong winds have been severely affecting Nigeria (ECHO 12/07/2022). As of 6 October, flooding had affected 33 of its 36 states (SBMIntel 06/10/2022). As at 20 October, the crisis had displaced more than 1.4 million people and affected over 2.5 million (Reuters 20/10/2022 a; Al Jazeera 17/10/2022). Heavy rainfall is expected to continue over the southern states of Nigeria (ECHO 18/10/2022). The accumulation of rainwater is likely to cause further flooding along the Niger and Benue Rivers. Riverine flooding is also likely to worsen as water is released from dams, such as Lagdo Dam in Cameroon (USAID/ FEWS NET 2022; The Nation 11/10/2022). Consequently, the number of affected and displaced people may continue to rise. Flooding has affected roads, bridges, and some communication lines, leaving certain communities entirely inaccessible and cut off from services.

In view of this, the International Organization for Migration is set to procure and distribute fuel-efficient stoves to displace individuals in camp and camp like settings in the most severely affected communities in Benue and Anambra states.

The aim of providing and distributing the Fuel-Efficient Stoves is to:

- i. provide flood affected households with efficient cooking stove which will further limit the excessive use of firewood.
- ii. Mitigate the risk of indiscriminate falling of trees for cooking.
- iii. Provide women the opportunity to recuperate speedily from the shock of the flood.
- iv. Limit deforestation/desert encroachment.

This document will serve as a guide to the prospective vendor on the specification of the fuel-efficient stove, the quantity, quality, and timeline for delivery upon issuing of purchase order.

Procurement Guide/Vendor Requirement

The following should be adhered to:

- i. One thousand (1,000) pieces of Fuel-Efficient stoves will be supplied for onward distribution to 1,000 households flood affected areas in Anambra and Benue.
- ii. Strict adherence to the below design of stove is encouraged
- iii. Delivery should be made directly to distribution sites in both state (the successful supplier will be duly informed).
- iv. Physical Samples of stove should be submitted along with Request for Quotation (RFQ) for quality check.
- v. The stove color should be deep-blue or IOM-blue and branded with white write-up **“Distributed by IOM with Support from The United Nations Central Emergency Relief Fund”** as in below.

Fuel-Efficient Stoves

Distributed by IOM with support from

The United Nations Central Emergency Relief Fund (CERF).



- vi. The stove should be delivered in a plain brown carton as in below [*sticked on the carton*].

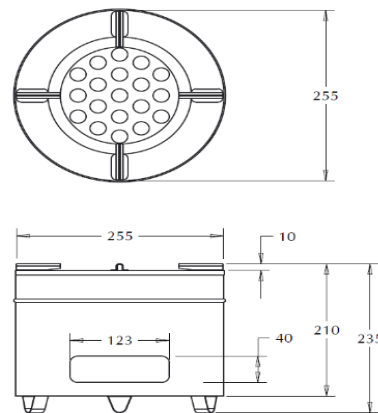
Fuel-Efficient Stoves

Distributed by IOM with support from

The United Nations Central Emergency Relief Fund (CERF).



- vii. Quality of stove should not be compromised during delivery; hence the quality must be same as samples submitted along with RFQ, otherwise supply will be rejected.
- viii. Supply should be completed within one month of issuing Purchase Order.



All dimensions are in mm

Majik-Fire Charcoal stove

Figure 1: Sketch of Fuel-Efficient Stoves

DECLARATION BY SELECTED COOPERATIVE/VENDOR

Iof hereby declare that, I have read and understood the content/term for the supply of 5,000 Fuel-Efficient stoves and pledge to adhere strictly to the term.

Signature:

Designation:

Date: