

## All-in-One Android Video Collaboration Bar for Medium Room

Yealink MeetingBar A30 Teams Edition, an all-in-one video collaboration bar for Medium rooms. Featuring 8MP camera and 120° super-wide-angle lens, A30 delivers outstanding video quality. Together with the electric privacy shutter, its AI technologies including Auto Framing and Speaker Tracking and so on allow users to experience a smarter and safer video conference. With 8 MEMS microphone arrays and Yealink noise proof algorithm, A30 brings excellent audio experience in medium rooms even in full-duplex mode and ensures that everyone can be heard as well as seen. Supporting human body detection, A30 provides convenient and fast meeting experience. Moreover, A30 combines computing unit, camera, microphones, speaker, Wi-Fi, and Bluetooth, which provides you a solution of simple deployment. A30 supports for cloud video platforms like Zoom and Microsoft Teams means no PC or Mac is required. A30 is capable of content sharing and whiteboard that making the meeting more communicative and collaborative. Simple and flexible deployment but powerful features deliver excellent video collaboration performance.



Qualcomm SD845 chipset



Two Cameras Design



Wide-angle Lens



Electric Privacy Shutter



Dual Screen



Auto Framing



Speaker Tracking



All in One Design



## Key Features and Benefits

### Smart Video Collaboration

Based on Android 9.0 OS, A30 owns native Teams or Zoom expensive that all features can be operated by just one touch or by the remote controller. Meanwhile, A30 supports both content sharing and whiteboard that making the meeting more communicative and collaborative.

### See Everyone Clearly

Equipped with Qualcomm Snapdragon 845, A30 has strong image processing, encoding and decoding capabilities. Besides, with its 8 MP camera can provide a high-quality video conference experience. With super-wide 120° field of view, everyone in the conference can be seen without adjusting the camera. Moreover, the image brightness can be automatically optimized even in a dim or backlight environment, ensuring the participant faces can be seen clearly.

### Two cameras design with AI technology

A30 is equipped with two cameras design, one for panoramic analysis and one for image output. Featuring AI technology, including Auto Framing and Speaker Tracking, A30 not only supports framing the groups automatically according to the number and the position of the participants, but also automatically zoom in the speaker without adjusting the camera, making the participants more focus on the conference.

### Precise Sound Localization, Full-Duplex Experience

8 MEMS microphone arrays make A30 have stronger ability of noise proof and dereverberation. The new upgraded beamforming algorithm, together with technology of processing on acoustic echo cancellation and the dereverberation, brings high quality full-duplex call and realizes more precise voice pickup.

### All-in-one Design for Fast Start

Integrating computing unit, camera, microphones, speaker, Bluetooth, Wi-Fi, A30 takes up less space and minimizing cable clutter. For your easy deployment, it is ready for a video conference by simply plugging in the power adapter and HDMI cable. In addition, the Yealink Device Management ensures an easy management to you.

- Qualcomm Snapdragon 845 chipset
- ALL-IN-ONE design
- Two Cameras Design
- 120° Super filed of view
- Electric Privacy Shutter
- Dual screen
- Auto framing and speaker tracking
- Built-in Bluetooth
- Built-in dual-band Wi-Fi
- Content sharing
- Whiteboard
- Certified by Zoom & Microsoft Teams

### Dual Camera System

- Wide Camera:
  - 8MP Camera
  - Resolution: 4k, 1080p and 720p at 30fps
  - Field of view: 120°
  - 4x e-PTZ Camera
- Telephoto Camera:
  - 8MP Camera
  - Resolution: 4k, 1080p and 720p at 30fps
  - Field of view: 90°
  - 10x Hybrid Zoom (3.5x optical, 3x digital)
  - Horizontal Rotation Angle: +25°/-25°
  - Vertically Rotation Angle: +16°/-16°
- Electric Privacy Shutter
- Intelligence Features
  - Auto Framing
  - Speaker Tracking<sup>①</sup>

### Audio

- Built-in 8 MEMS microphone array
- Support extension mic
- Two Built-in 5W high fidelity speaker
- Yealink Noise Proof Technology
- Beamforming directed voice pickup technology
- Full-duplex
- Echo cancellation

### Operating System

- Android 9.0

### Meeting Features

- Calendar
- One-click join
- Meeting collaboration
  - Content sharing
  - Whiteboard
- Meeting control:
  - Add participates

- Hold/Resume
- Camera On/Off
- Mute/Unmute
- Volume Up/Down
- Hang up

- Teams Edition
  - Microsoft DM
  - Proximity join
- Zoom Edition
  - Zoom DM
  - Direct sharing

### Video Standard and Network Suitability

- Video codecs: H.264 High profile, H.264 SVC, H.264

### Network and Security Features

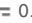
- Built-in dual-band Wi-Fi (2.4GHz/5GHz)
- Built-in Bluetooth
- IPv4 and IPv6, DHCP/static IP
- HTTP/HTTPS web server
- SRTP/TLS, AES 256-bit encryption
- QoS: 802.1p/q, Diff-serv
- VLAN, LLDP
- IEEE802.1X
  - EAP-MD5/EAP-TLS
  - PEAP-MSCHAPv2
  - EAP-TTLS/EAP-MSCHAPv2
- Network diagnosis: Ping, Trace route
- Time and date synchronization using SNTP
- Built-in certificate
- Simple Certificate Enrollment Protocol (SCEP)\* coming soon

### Connections

- 2 x HDMI output (CEC supported)
- HDMI input (through the VCH51 Sharing Kit)
- 1 x Line-in (3.5mm)
- 1 x Line-out (3.5mm)
- 2 x USB 2.0
- 1 x 10/100M/1000M Ethernet port

- 1 x Yealink extension port (RJ-45)
- 1 x Power port
- 1 x Security lock slot
- 1 x Reset slot

### Other Physical Features

- External Yealink Power Adapter: AC 100~240V input and DC 48V/0.7A Output
- USB Output: 5V  0.5A
- Power consumption (PSU):
  - Idle < 13W; Normal operating: 15W; MAX: 16W
- Dimension (W.D.H): 700 mm x 98 mm x 121 mm
- Operating humidity: 10~95%
- Operating temperature: 0~40°C
- Storage temperature: -30~70°C

### MeetingBar A30 Package

- Package contents:
  - MeetingBar A30 endpoint
  - 3m Ethernet cable
  - 2 x 1.8m HDMI cable
  - Mounting Bracket and Accessories
  - Power adapter
  - Quick Start Guide
  - Controller (optional):
    - CTP18 Touch Panel
    - VCR20 Remote Control
  - Content sharing(optional):
    - VCH51 Sharing Kit (HDMI/USB-C)<sup>②</sup>
    - WPP20 Wireless Presentation Pod<sup>③</sup>

- Carton Meas: 903\*325\*306mm

### MeetingBar A30 + CTP18 Package

- Carton Meas: 923\*495\*327mm

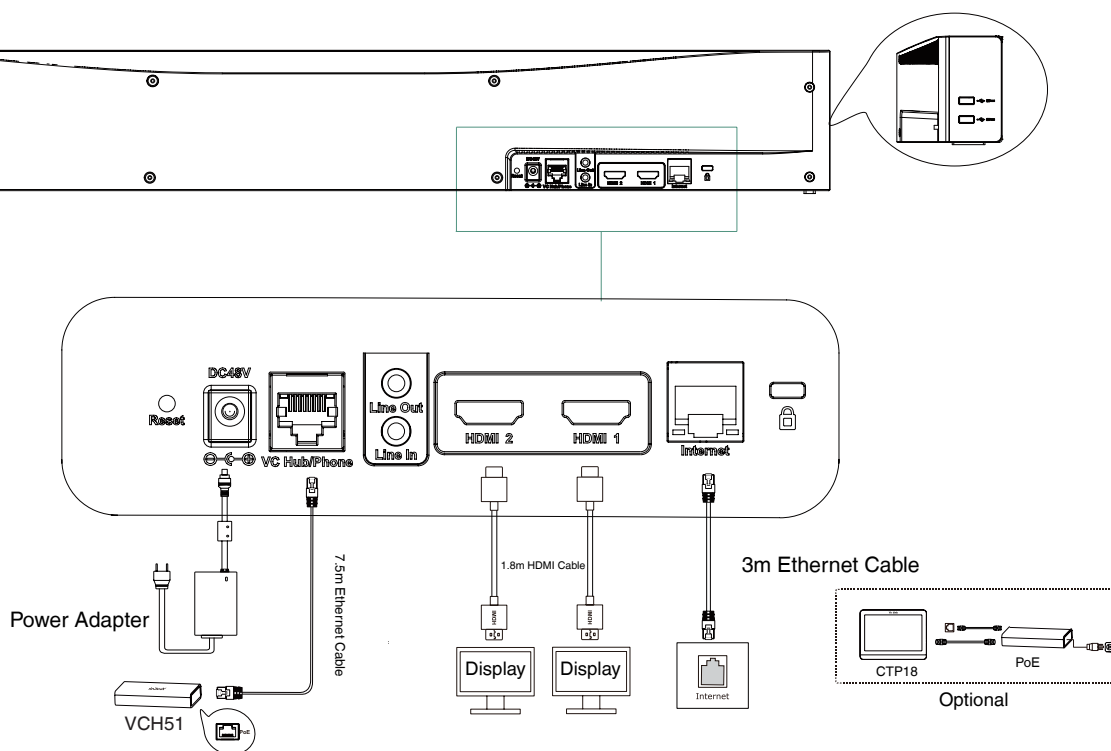
### Compliance



### Coming Soon:

- ① The Zoom version does not support this feature yet.
- ② The Teams version does not support this feature yet.
- ③ The Teams/Zoom version does not support this feature yet.

## Endpoint Connections



### Note:

- If you connect a touch display device, you can operate the A30 either by remote control or touch control.
- If you connect a non-touch display device, you can only use the remote control.

## About Yealink

Yealink (Stock Code: 300628) is a global-leading provider of Unified Communication & Collaboration Solutions specialized in video conferencing, voice communications, and collaboration, dedicated to helping every person and organization embrace the power of "Easy Collaboration, High Productivity". With best-in-class quality, innovative technology, and user-friendly experiences, Yealink is one of the best providers in more than 140 countries and regions, ranks No.1 in the global market share of IP Phone, and is the Top 5 leader in the video conferencing market (Frost & Sullivan, 2021).

## Copyright

Copyright © 2022 YEALINK(XIAMEN) NETWORK TECHNOLOGY CO., LTD.

All rights reserved. No parts of this publication may be reproduced or transmitted in any form or by any means, electronic or mechanical, photocopying, recording, or otherwise, for any purpose, without the express written permission of Yealink(Xiamen) Network Technology CO., LTD.

## Technical Support

Visit Yealink WIKI (<http://support.yealink.com/>) for firmware downloads, product documents, FAQ, and more. For better service, we sincerely recommend you to use Yealink Ticketing system (<https://ticket.yealink.com>) to submit all your technical issues.



YEALINK(XIAMEN) NETWORK TECHNOLOGY CO.,LTD.  
Web: [www.yealink.com](http://www.yealink.com)  
Addr: No.1 Ling-Xia North Road, High Tech Park,  
Huli District, Xiamen, Fujian, P.R.C  
Copyright©2022 Yealink Inc. All right reserved.