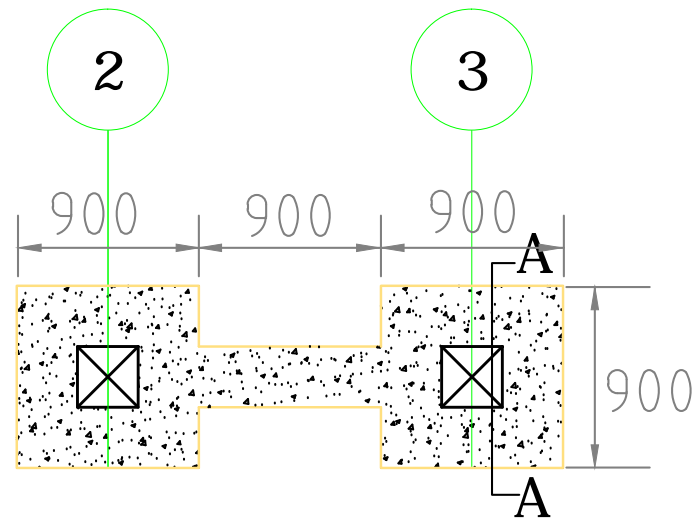
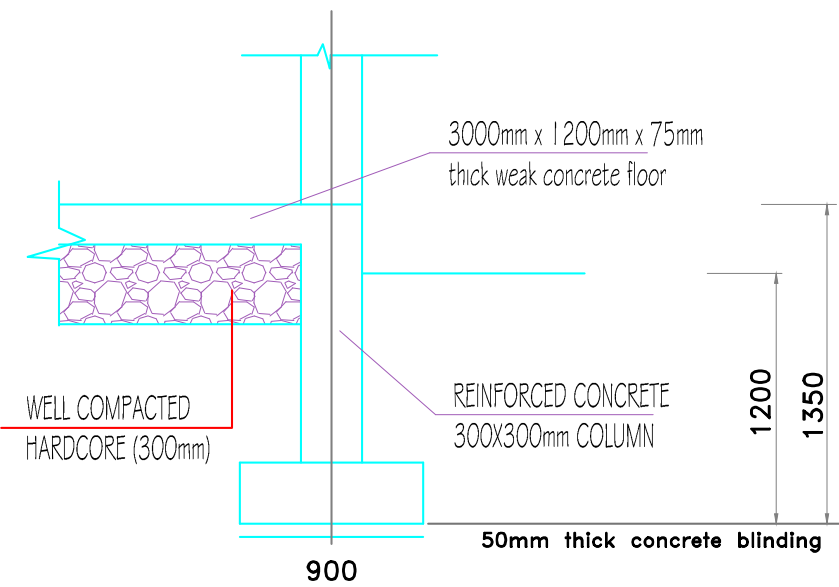


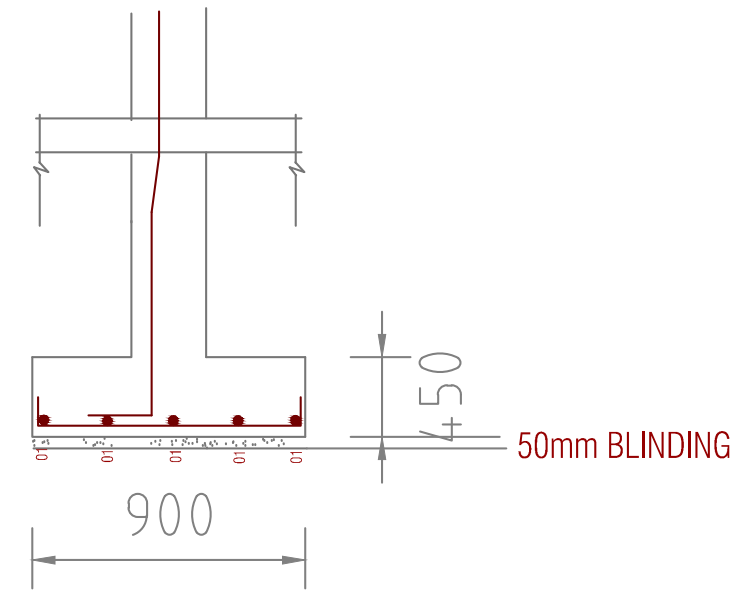
FOUNDATION DETAILS



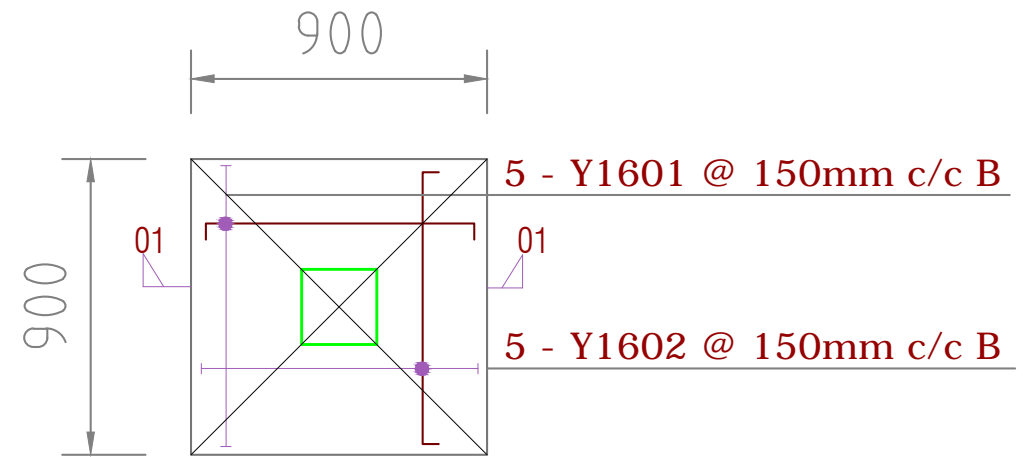
LAYOUT



SECTION A-A



SECTION 1-1



COLUMN APPLICATION PLAN x2

PROPOSED CONCRETE WATER TANK STAND

Date: 08 January, 2020 Scale: NTS

Required WASH Facilities

No. of Tanks	2
Capacity	2 x 3,000 liters
Total Weight (full Tank)	6210 kg

International Organization for Migration



Prepared by:

Okokon EFANGA //eokokon@iom.int

Sheet No:

03