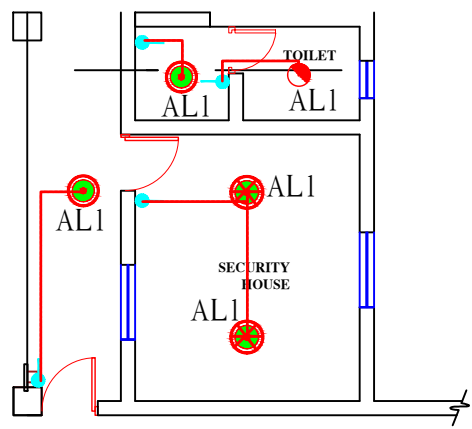
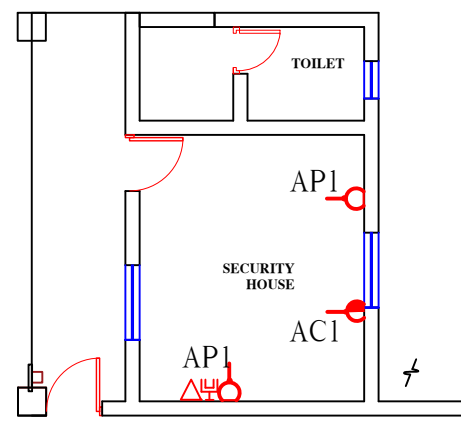


GENERAL NOTES

1. Before embarking on any part of this project, first, study carefully and understand these drawings and other documents relating to this project.
2. Do not scale drawings. Refer any discrepancies to the Architects relating to this project.

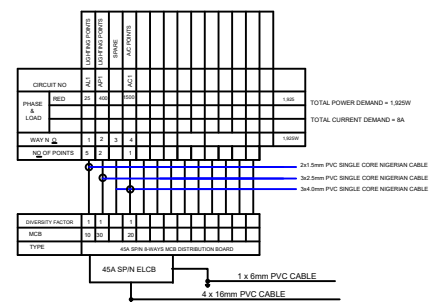


**GATE FLOOR PLAN
LIGHTING LAYOUT**



**GATE FLOOR PLAN
POWER LAYOUT**

LOAD SCHEDULE & SCHEMATIC ANALYSIS FOR CONSUMER UNIT GATE HOUSE - CUA



LOAD ANALYSIS