

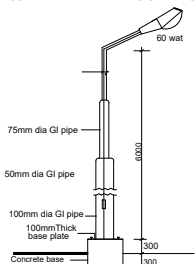
GENERAL NOTES

These drawings are instruments of service only, and shall at all times remain property of the Architects, whether the project for which they are made is executed or not. They are therefore returnable to them on request and shall not be used on any other projects or on the accession of the one for which they are made without the written consent of the said Architects.

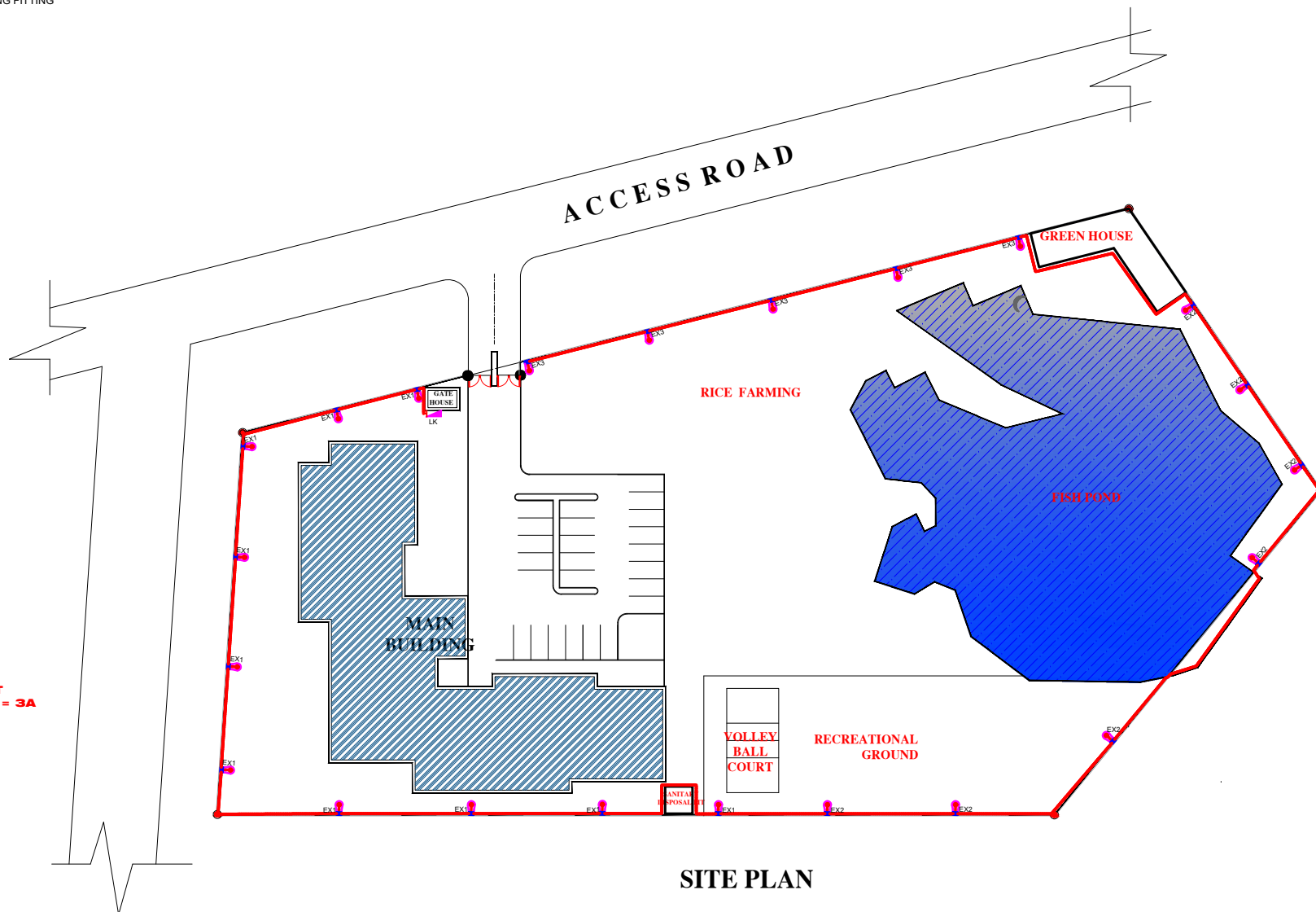
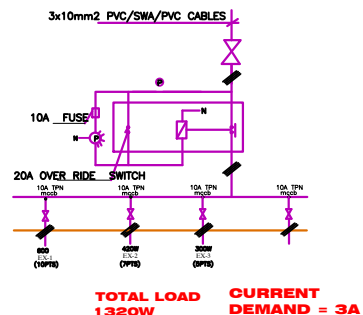
NOTES TO THE BUILDER

1. Before embarking on any part of this project, first, Study carefully and understand these drawings and other documents relating to this project.
2. Do not scale drawings. Refer any discrepancies to the Architects relating to this project.

60W EXTERNAL HALOGEN LIGHTING FITTING



EXTERNAL LIGHTING DETAIL



SITE PLAN


Site Plan Electrical

**CLIENT**  
**INTERNATIONAL ORGANISATION FOR  
 MIGRATION (IOM) /  
 THE REPUBLIC OF KOREA**

**PROJECT TITLE**  
**PROPOSED CONSTRUCTION OF  
 STRENGTHENED PROTECTION FROM  
 GENDER - BASED VIOLENCE CENTER**

**LOCATION**  
**AT MALKOHI YOLA SOUTH,  
 ADAMAWA STATE,  
 NORTH - EAST NIGERIA**

**CONTRACTOR**



**SHELTER - STRUCT (NIG.) LTD**  
 Design + Build  
 Construction, Structural Design & Civil Works  
OFFICE: 3RD FLOOR, SUITE 180/181/182, No. 07, 7th RECREATION AVENUE  
 OFF. HEBERT MARCAL VARY, CENTRAL BUSINESS DISTRICT AREA,  
 FCT ABUJA.  
 EMAIL: shelterstruct@yahoo.com      Tel: 08033140910, 08055553765

DRWG TITLE	SCALE		N.T.S
Job No.	E02	Sheet No.	E02
DRAWN BY:	Olufemi Daniel		
CHECKED BY:	Eng. Tola		
DATE :	March 2020		