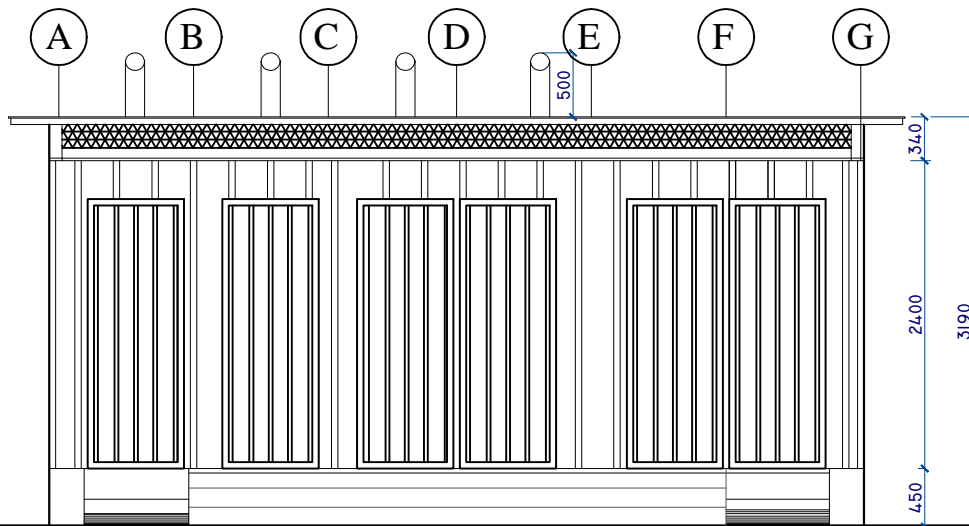
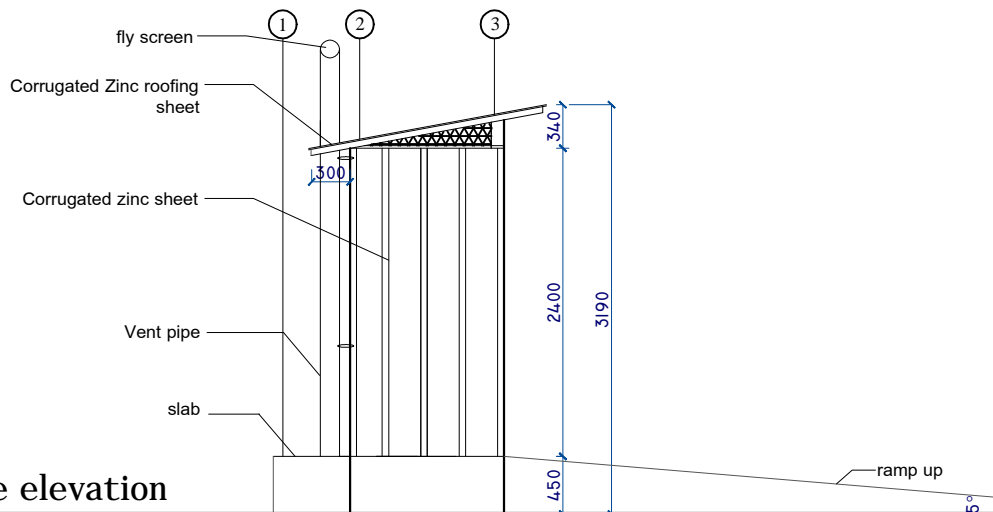


front elevation



left side elevation



scale	NTS
date	JUN, 2017
title	elevations

project

**PROPOSED CONSTRUCTION OF A BLOCK OF 4 STANCE OF EMERGENCY LATRINE AND 2 STANCE OF SHOWER**

revision	
date	
sheet no	