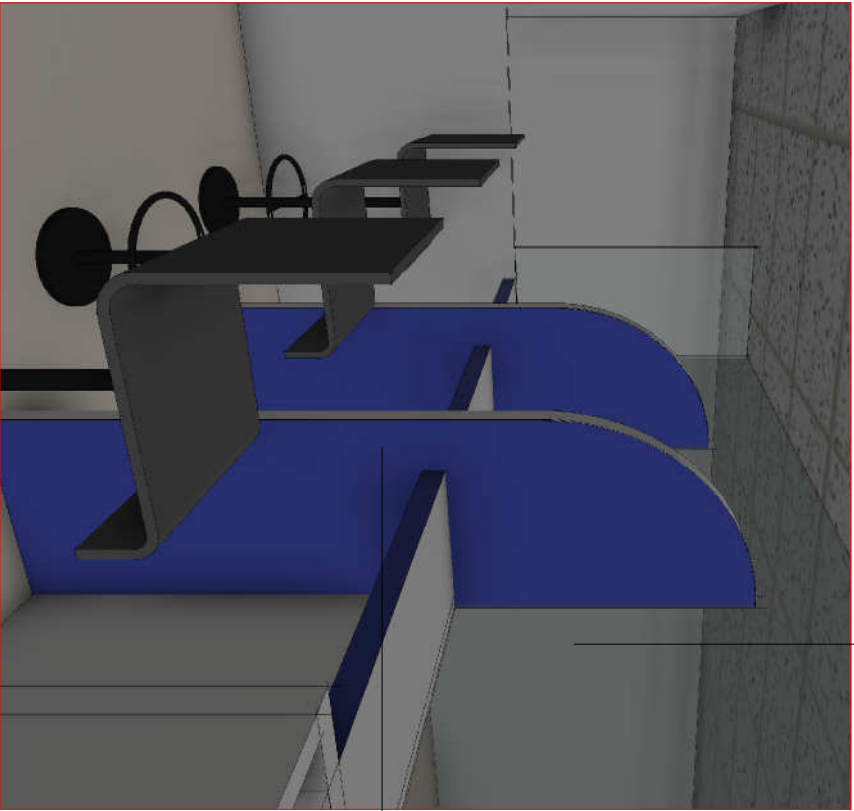


- Wall to be demolished
- New walls
- Existing walls

80mm x120mm x 4mm
I-section steel @ 1200
c/c

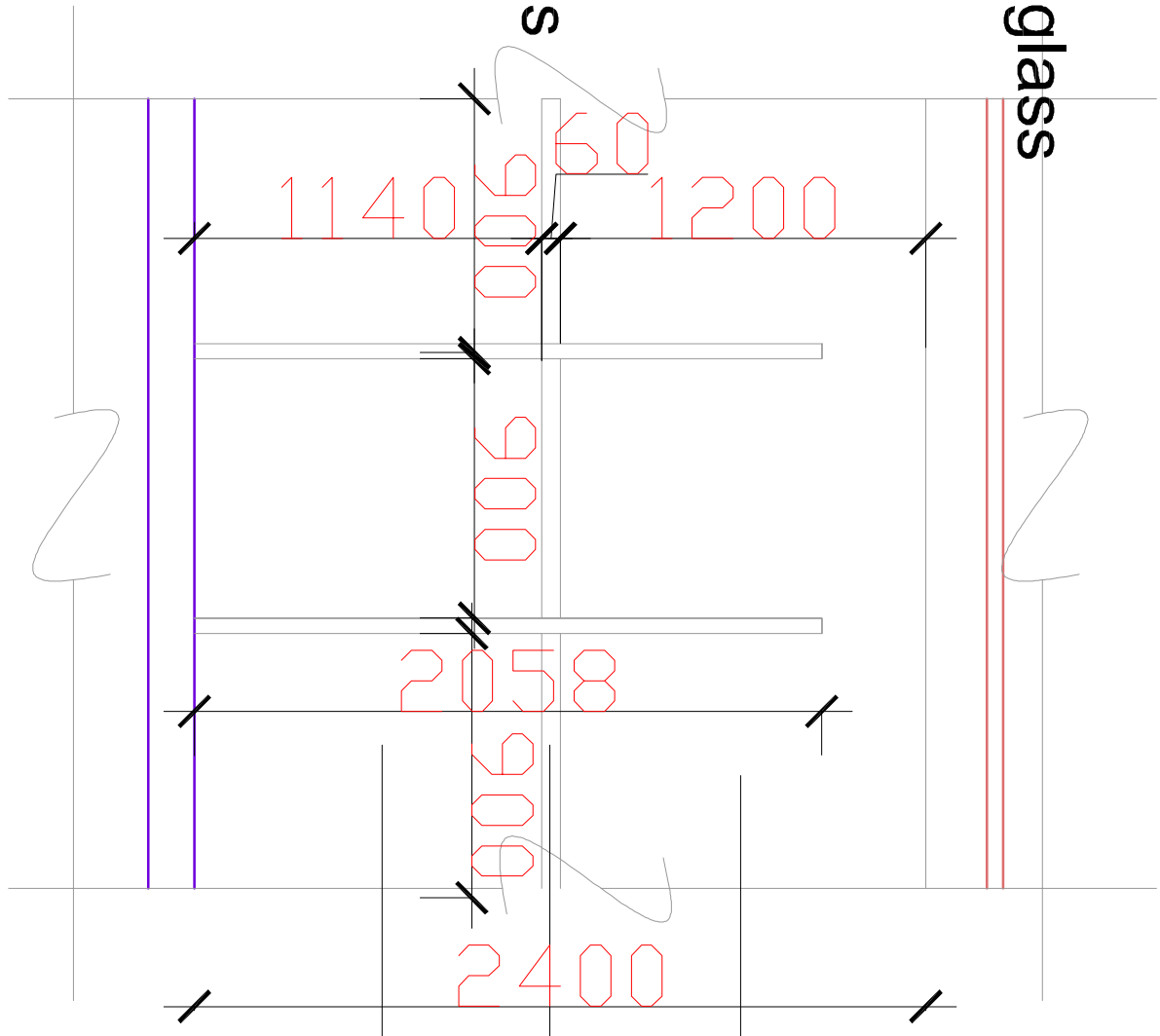
80mm x150mm x 4mm
I-section steel @2400 c/c

50mm thick sandwich cold room pallet sourced from vitapur Nigeria Limited equally approved complete with necessary installation interlocks and accessories, fixed according to architects instructions



6mm thick glass

HDF boards



6mm thick glass

HDF boards

HDF boards